



# Lowriser

## Low rise platform lift

### Up to 1m

# Stannah

The call stations may be fitted either side of the lift.

The lifts power supply unit may be fitted anywhere outside of the lifts footprint, within 12m. It must always remain easily accessible.

If fitting concealed conduit a minimum diameter of 40mm is recommended fitted with draw wires.

Power Supply to the Lift: 230Vac 50Hz SP&N 13A Fused Spur. Fused at 10 Amps May be wired either from adjacent ring main. It is recommended a lockable isolator is used. Must comply with the latest IEE regulations.

All the lift cables enter the lift at the LH corner hard against the threshold wall.

The cable from the PSU is a 12mm OD armoured cable.

The cables from the call stations are 7 core dia 7.5mm. (One upper and one lower call station)

Note if the upper call is fitted to the gate no conduit for this call is required

Upper call controls are normally fitted to the gate posts unless otherwise stated

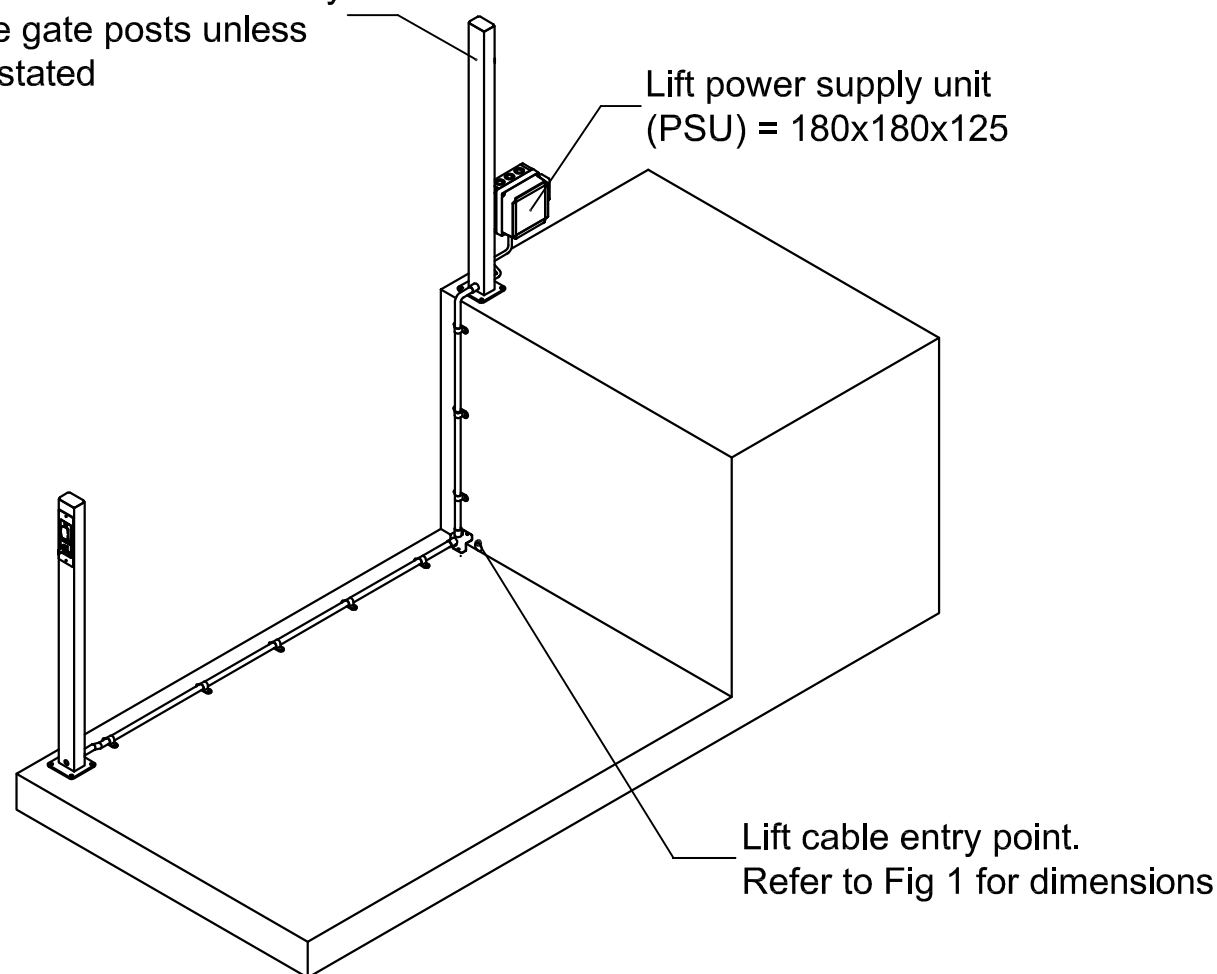
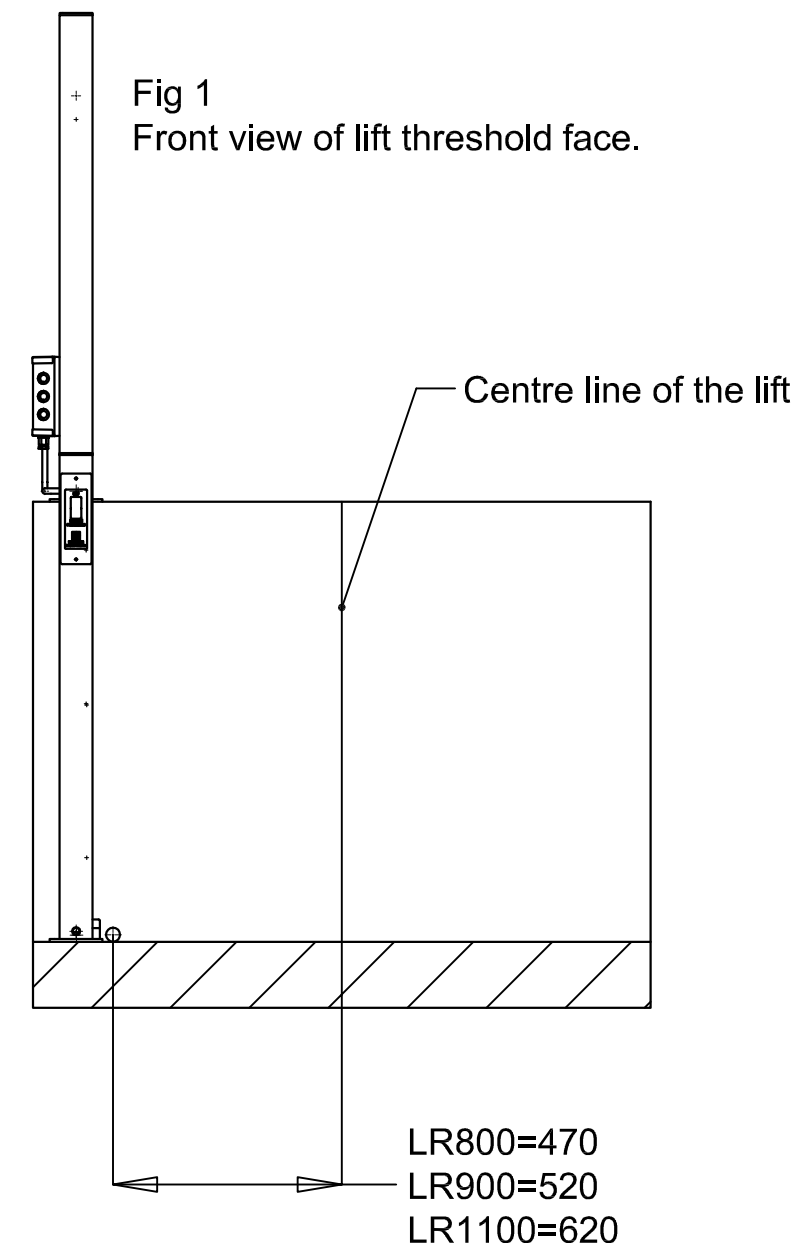


Fig 1  
Front view of lift threshold face.



**Waiver:**

This data sheet is for guidance only and must not be used for proper working drawings. Please contact Stannah Lifts for particular details before proceeding. Owing to our policy of continual improvement we reserve the right to alter specifications and dimensions without prior notice

**Stannah lifts Ltd.**  
Anton Mill, Andover, Hampshire. SP10 2NX  
**Tel: 01264 339090**  
**www.stannahlifts.co.uk**

Information  
sheet  
**LR 912**  
Rev A  
17.02.12